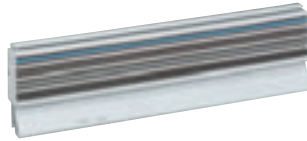


distribution system XL-Part 100, XL-Part 125



049 73



045 03



045 05

Dimensions (p. 248)

"Optimised" distribution
 For power supply and power distribution via the "Plug-in" system for all Lexic 1 module per pole MCBs up to 63 A
 Consists of a power supply rail, power supply modules and connection modules

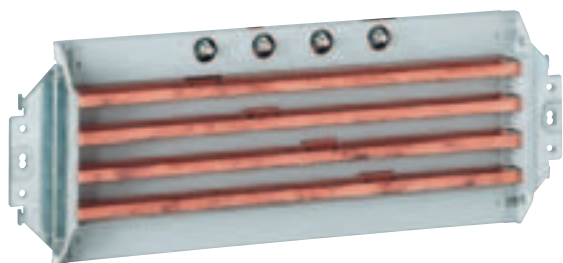
| Pack | Cat.Nos | XL-Part 100 |
|------|---------|--|
| | | Row distribution blocks Distribution block with integrated "Plug-in" terminals and system, supplied with 2 adjustable four pole "Plug-in" covers providing IP 2 protection |
| 2 | 049 72 | 2P Takes direct connection of double pole Lexic MCBs, 1 module per pole, up to 63 A |
| 2 | 049 73 | 3P Takes direct connection of triple pole Lexic MCBs, 1 module per pole, up to 63 A |
| 2 | 045 44 | 4P - neutral on left-hand side Takes direct connection of four pole Lexic MCBs, 1 module per pole |
| 2 | 049 74 | 4P - neutral on right-hand side Takes direct connection of four pole Lexic MCBs, 1 module per pole |
| 1 | 202 00 | Fixing device Comprising a rail, aluminium profile and two 2-position fixing brackets Fits onto functional uprights Takes XL-Part 125 and XL-Part 100 row distribution block as well as DPX 125, 160 and 250 ER mounted on plate (p. 182) |
| | | Mounting principle |
| | | |
| | | Direct supply of distribution block Cat.No 045 44 via four pole main MCB "Plug-in" connection ensures automatic supply of the other MCBs, when they are fixed on rail Cat.No 202 00 |

Supply busbars (p. 231)

| Pack | Cat.Nos | XL-Part 125 |
|------|---------|--|
| 2 | 045 03 | Row distribution block Four pole distribution block with integrated terminal blocks, for fitting directly on rail Cat.No 092 03 only Capacity 24 modules all polarities, and takes power supply modules and connection support |
| 1 | 202 00 | Fixing device Comprising a rail, aluminium profile and two 2-position fixing brackets Fits onto functional uprights Takes XL-Part 125 and XL-Part 100 row distribution block as well as DPX 125, 160 and 250 ER mounted on plate (p. 182) |
| 1 | 045 05 | Power supply module Set of 4 modules (L1, L2, L3, N), connect on 35 mm ² 100 A cage terminals for supplying row distribution block Cat.No 045 03 |
| | | "Plug-in" connection modules "Plug-in" power supply and connection interface between the row distribution block Cat.No 045 03 and all Lexic 1 module per pole MCBs up to 63 A ⁽¹⁾ |
| 1 | 045 10 | Set of 4 modules (L1, L2, L3, N) |
| 4 | 045 11 | L1 |
| 4 | 045 12 | L2 |
| 4 | 045 13 | L3 |
| 4 | 045 14 | N |
| | | "Wired" connection module "Plug-in" power supply and connection interface between the row distribution block Cat.No 045 03 and DX 1 module single pole + neutral MCBs up to 32 A, for their power supply |
| 1 | 045 25 | Set of 3 modules (L1/N, L2/N, L3/N) |
| | | Mounting principle |
| | | |
| | | Direct supply of distribution block Cat.No 045 03 with power supply module Cat.No 045 05 "Plug-in" and "wired" connection modules take and supply DX MCBs which are fitted on rail Cat.No 202 00 |

(1) Admissible current for each 80 A connection

row distribution system XL-Part 250-400 A



373 36



098 65



098 05



098 45

Dimensions (p. 248)

For power supply and power distribution in rows up to 400 A
Consists of an XL-Part distribution block and support bases for the power supply unit and fixing the DPX 125, DPX 250 ER and Lexic modular devices

| Pack | Cat.Nos | Row distribution block XL-Part 250 A |
|------|---------|--|
| | | Four pole distribution block with integrated bars Fits directly onto XL ³ 400 or 800 integrated functional uprights, functional uprights Cat.Nos 205 24 or 205 27 if internal cable sleeves in XL ³ 4000 enclosures Capacity: 24 modules Takes support bases XL-Part for row distribution block |
| | | For XL³ 400 enclosures |
| 1 | 373 36 | Direct power supply on XL-Part 400 active backplate with linking kit fitted |
| 1 | 373 37 | Indirect power supply via head of row device |
| | | For XL³ 800 et XL³ 4000 enclosures |
| 1 | 373 46 | Direct power supply on XL-Part 400 column chassis with linking kit fitted |
| 1 | 373 47 | Indirect power supply via head of row device |
| | | Insulating protection kit |
| 1 | 098 79 | 1 profile length 430 mm (can be cut to length) protects the front of the bars of the XL-Part row distribution block + 5 profiles for protection of the rear |
| | | Row distribution block XL-Part 400 A |
| 1 | 373 27 | Four pole distribution block with integrated bars Fits directly on XL ³ functional uprights Cat.No 205 24 or Cat.No 205 27 if internal cable sleeves in XL ³ 4000 enclosures and on XL-Part 1600 column chassis Cat.No 373 28 Capacity: 24 modules Takes support bases XL-Part for row distribution block |
| | | Connection kit |
| 1 | 373 19 | Set of 4 brackets for connecting the XL-Part row distribution block on the C-section busbar of the XL-Part 1600 column chassis |
| | | Insulating protection kit |
| 1 | 098 79 | 1 profile length 430 mm (can be cut to length) protects the front of the bars of the XL-Part row distribution block + 5 profiles for protection of the rear |
| | | Connection accessories - Tap-off |
| 10 | 098 89 | Set of 4 x M8 hammer screws and nuts for connection or tap-off on row distribution block support Cat.No 373 27 |

| Pack | Cat.Nos | Support bases XL-Part for row distribution blocks | No of modules |
|------|---------|--|---------------|
| | | For power supply and fixing head of row devices or secondary distribution boards Direct connection to 400 and 250 A row distribution blocks | |
| | | Four pole pour DPX | |
| | | Can be used as power supply or output Supplied with terminal shields | |
| 1 | 098 65 | For DPX 250 ER | 7 |
| 1 | 098 66 | For side mounted earth leakage module DPX 250 ER | 7 |
| 1 | 098 59 | For DPX 160 | 7 |
| 1 | 098 60 | For side mounted earth leakage module DPX 160 | 7 |
| 1 | 098 57 | For DPX 125 | 6 |
| 1 | 098 58 | For side mounted earth leakage module DPX 125 | 6 |
| 1 | 098 77 | For DPX-IS 250 | 7 |
| | | "Plug-in" for Lexic 1 module per pole ≤ 63 A | |
| 1 | 098 05 | Four pole | |
| 1 | 098 04 | Triple pole | |
| 5 | 098 00 | Neutral, single pole | |
| 5 | 098 01 | Phase L1, single pole | |
| 5 | 098 02 | Phase L2, single pole | |
| 5 | 098 03 | Phase L3, single pole | |
| | | "Wired" for Lexic 1.5 module per pole ≤ 125 A | |
| | | • Bottom power supply: distribution block supplied via the base | |
| | | • Top power supply: base supplied via the distribution block | |
| 1 | 098 54 | Four pole, bottom power supply | |
| 1 | 098 53 | Four pole, top power supply | |
| 1 | 098 52 | Triple pole, top power supply | |
| 5 | 098 48 | Neutral, single pole, top power supply | |
| 5 | 098 49 | Phase L1, single pole, top power supply | |
| 5 | 098 50 | Phase L2, single pole, top power supply | |
| 5 | 098 51 | Phase L3, single pole, top power supply | |
| | | "Wired" for Lexic P + N 1 module ≤ 63 A | |
| 1 | 098 47 | Four pole | |
| 1 | 098 46 | Triple pole | |
| 5 | 098 42 | Neutral, single pole | |
| 5 | 098 43 | Phase L1, single pole | |
| 5 | 098 44 | Phase L2, single pole | |
| 5 | 098 45 | Phase L3, single pole | |
| | | "Wired" pour Lexic P + N 1 mod. ≤ 40 A | |
| 1 | 098 08 | Phase L1 + neutral | |
| 1 | 098 09 | Phase L2 + neutral | |
| 1 | 098 10 | Phase L3 + neutral | |
| | | Lexic "universal" | |
| 5 | 098 40 | Empty base, 1 module without power supply | |

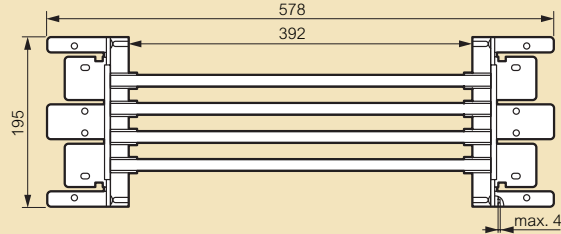
Red catalogue numbers: New products

row distribution system **XL-Part 400-250 A** technical characteristics

■ Row distribution block 400 A

Cat.No 373 27

Insulation voltage of row distribution block Cat.No 373 27 in accordance with EN 60947-1/IEC 60664-1: 690 V
Impulse voltage (Uimp): 8 kV

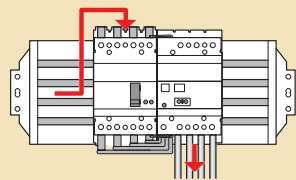


■ Row distribution block 250 A

Insulation voltage in accordance with EN 60947-1/IEC 60664-1: 690 V~
Impulse voltage (Uimp): 8 kV

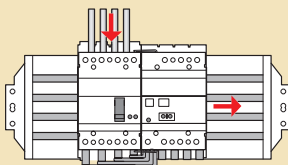
Cat.No 373 36

Direct power supply



Cat.No 373 37

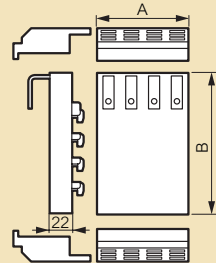
Indirect power supply



■ Support bases for row distribution block

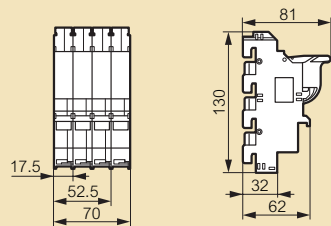
Four pole for DPX fixed version

Insulation voltage of bases for DPX in accordance with EN 60947-1/IEC 60664-1: 690 V - Impulse voltage (Uimp): 8 kV

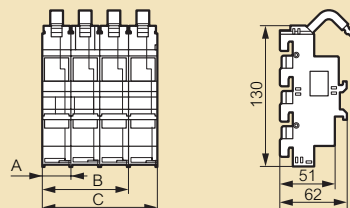


| Cat.Nos | A | B |
|---------|-----|-----|
| 098 57 | 100 | 168 |
| 098 60 | 120 | 186 |
| 098 65 | 120 | 215 |

"Plug-in" for Lexic 63 A



"Wired" for Lexic 63 A and 125 A



| | ≤ 63 A | ≤ 125 A |
|---|--------|---------|
| A | 17.5 | 26.7 |
| B | 52.5 | 80.7 |
| C | 70 | 106.8 |

■ Minimum faceplate height

| Mounting of distribution | MCBs | DPX 125 | DPX 250 ER |
|------------------------------------|------|---------|------------|
| On column chassis Cat.No 098 76 | 300 | 300 | 300 |
| On uprights Cat.No 095 95 | 200 | 200 | 300 |

distribution system **XL-Part 125-100** technical characteristics

Rated voltage (Ue): 230/400 V~

Rated frequency: 50/60 Hz

Permissible short-circuit current: 6 kA with DX
25 kA with DX-H

■ XL-Part 125 distribution block

Insulation voltage (Ui): 690 V~

Rated current: 125 A maximum (central power supply)

80 A maximum (side power supply)

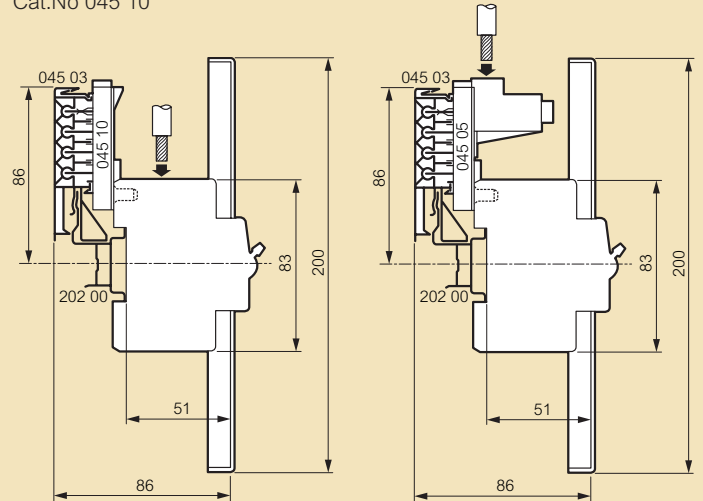
Protection index: IP 20

Maximum connection cross-section of power supply module: 35 mm²

Power supply by main device

Cat.No 045 10

With module Cat.No 045 05



■ Row distribution block

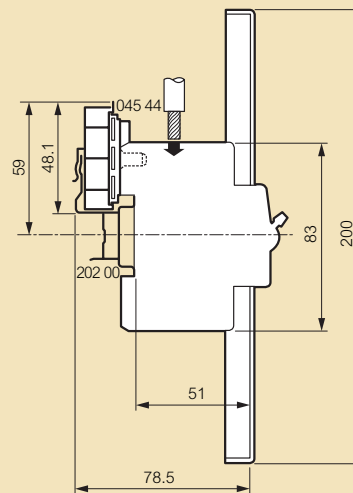
Insulation voltage (Ui): 500 V~

Impulse voltage (Uimp): 6 kV~

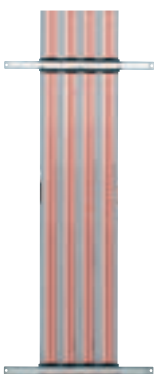
Rated frequency: 50/60 Hz

Rated current: 100 A maximum (centre power supply)
80 A maximum (side power supply)

Power supply via head device



XL-Part 400 distribution system



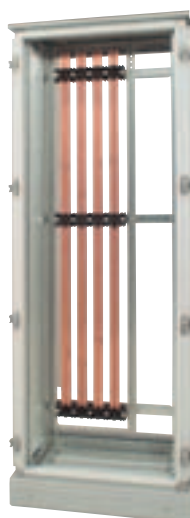
201 88 + 373 32 + 373 31

"Optimised" distribution

For power supply and power distribution up to 400 A
Consists of isolating supports for C-section busbars, for XL³ 400 enclosures

| Pack | Cat.Nos | XL-Part 400 active backplate | | | | | | |
|----------------------------------|---------|---|----------------------------------|---------|---------|-----|-----|-----|
| 1 | 201 88 | Take C-section bars Cat.No 373 30 for building a column chassis for XL ³ 400 enclosures | | | | | | |
| 1 | 201 89 | Active backplate for XL ³ 400 cabinets Cat.No 201 08, or XL ³ 400 enclosures Cat.No 201 18 | | | | | | |
| | | Active backplate for XL ³ 400 enclosures Cat.No 201 19 | | | | | | |
| | | C-section copper bar Length 1 720 mm For integration in the active backplates with supports Cat.No 373 31 and 373 32 | | | | | | |
| 1 | 373 30 | <table border="1"> <thead> <tr> <th>Cross-section (mm²)</th> <th>IP ≤ 30</th> <th>IP > 30</th> </tr> </thead> <tbody> <tr> <td>150</td> <td>500</td> <td>400</td> </tr> </tbody> </table> | Cross-section (mm ²) | IP ≤ 30 | IP > 30 | 150 | 500 | 400 |
| Cross-section (mm ²) | IP ≤ 30 | IP > 30 | | | | | | |
| 150 | 500 | 400 | | | | | | |
| | | Supports for C-section busbars For mounting on functional uprights integrated in XL ³ 400 enclosures | | | | | | |
| 1 | 373 31 | Isolating support for C-section bars | | | | | | |
| 1 | 373 32 | Lug support | | | | | | |
| | | Isolating protection kit Length 1 m | | | | | | |
| 1 | 373 33 | | | | | | | |
| | | Linking kits Set of 4 bars for linking a DPX 250 or 630 (rating 400 A) and the active backplate equipped with XL ³ 400 column chassis C-section bars | | | | | | |
| 1 | 373 34 | Linking kit for DPX 250 | | | | | | |
| 1 | 373 35 | Linking kit for DPX 250 with earth leakage module | | | | | | |
| 1 | 373 38 | Linking kit for DPX 630 (rating 400 A) with or without earth leakage module | | | | | | |
| | | IPxx B protection of linking kits For DPX 250 kit Cat.No 373 34 For DPX 250 with earth leakage module kit Cat.No 373 35 For DPX 630 (rating 400 A) kit Cat.No 373 38 | | | | | | |
| 1 | 373 70 | | | | | | | |
| 1 | 373 71 | | | | | | | |
| 1 | 373 72 | | | | | | | |
| | | Tap-off terminal on C-section bars For tap-off connection of two 35 mm ² cross-section cables on C-section bar | | | | | | |
| 1 | 373 79 | 125 A terminals | | | | | | |

XL-Part 800 distribution system



Assembly consisting of 373 40 + 374 61 in XL³ 4 000 cable sleeve on plinth

"Optimised" distribution

For power supply and power distribution up to 800 A
Consists of isolating supports for C-section busbars, vertical fixing devices and four-pole support bases for fixing and supplying DPX 630, 250 ER and DPX 125 fixed MCCBs in a horizontal position in XL³ 800 and XL³ 4 000 enclosures

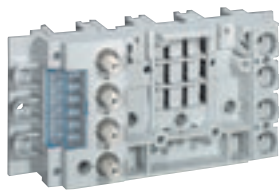
| Pack | Cat.Nos | XL-Part 800 column chassis | | | | | | |
|----------------------------------|---------|---|----------------------------------|---------|---------|-----|-----|-----|
| 1 | 373 40 | Set of 3 four pole isolating supports for C-section busbars and 2 vertical fixing devices for DPX device support bases The isolating supports are fitted on the XL ³ 800 integrated functional uprights or on functional uprights Cat.No 205 25 or 205 27 if internal cable sleeves in XL ³ 4 000 enclosures | | | | | | |
| | | C-section copper bars Length 1 780 mm For mounting on the supports of the XL-Part column chassis Cat.No 373 40 | | | | | | |
| 1 | 374 61 | <table border="1"> <thead> <tr> <th>Cross-section (mm²)</th> <th>IP ≤ 30</th> <th>IP > 30</th> </tr> </thead> <tbody> <tr> <td>265</td> <td>800</td> <td>630</td> </tr> </tbody> </table> | Cross-section (mm ²) | IP ≤ 30 | IP > 30 | 265 | 800 | 630 |
| Cross-section (mm ²) | IP ≤ 30 | IP > 30 | | | | | | |
| 265 | 800 | 630 | | | | | | |
| 1 | 373 80 | Isolating protection kit for C-section bars Set of 4 rear profiles and 2 front profiles | | | | | | |
| 1 | 373 39 | Linking kit Set of 4 bars providing the fixing between a DPX 1 600 (rating 800 A) and the XL-Part 800 column chassis | | | | | | |
| 1 | 373 81 | IPXX B protection of kit Cat.No 373 39 | | | | | | |
| | | Equipment for fixed version For supplying, connecting and fixing DPX power devices For connection on C-section bars For mounting on the vertical fixing devices of the XL-Part column chassis | | | | | | |
| | | Four-pole support bases for DPX For DPX 630 only For DPX 630 with e.l.c.b. mounted underneath For DPX 250 ER only For DPX 250 ER with e.l.c.b. mounted underneath Adaptor for mounting a DPX 125 on a base Cat.No 373 41 or 373 42 | | | | | | |
| 1 | 373 44 | | | | | | | |
| 1 | 373 45 | | | | | | | |
| 1 | 373 41 | | | | | | | |
| 1 | 373 42 | | | | | | | |
| 1 | 373 43 | | | | | | | |
| | | Terminal shields For DPX 630 For DPX 250 ER | | | | | | |
| 1 | 098 14 | | | | | | | |
| 1 | 262 86 | | | | | | | |
| | | Metal faceplates Screw mounting faceplate For DPX with or without e.l.c.b. Height 300 mm for DPX 630 Height 200 mm for DPX 250 ER Height 200 mm for DPX 125 | | | | | | |
| 1 | 209 25 | | | | | | | |
| 1 | 209 16 | | | | | | | |
| 1 | 209 14 | | | | | | | |
| | | Tap-off terminal on C-section bar For tap-off connection of two 35 mm ² cross-section cables on C-section bar | | | | | | |
| 1 | 373 29 | 125 A terminals | | | | | | |



XL-Part 1 600 distribution system



373 28



098 73



098 67



098 27 + 265 46



098 28

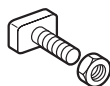
Technical characteristics (p. 253 to 255)

"Optimised" distribution

For power supply and power distribution up to 1600 A

Consists of isolating supports for C-section busbars, vertical fixing devices and three-pole and four-pole support bases for fixing and supplying DPX 630 and DPX 250 MCCBs in a horizontal position in XL³ 4000 enclosures

| Pack | Cat.Nos | XL-Part 1 600 column chassis | | | | | | | | | | | | |
|----------------------------------|---------------|---|----------------------------------|---------|---------|-----|-----|-----|-----|-----|-----|-----|------|------|
| 1 | 373 28 | Set of 3 four-pole isolating supports for C-section busbars and 2 vertical fixing devices for DPX device support bases The isolating supports are fixed on functional uprights Cat.No 205 24 or 205 27 if internal wiring sleeves in XL ³ 4000 enclosures | | | | | | | | | | | | |
| | | C-section copper bars Length 1780 mm For mounting on the supports of the XL-Part column chassis Cat.No 373 28 | | | | | | | | | | | | |
| | | <table border="1"> <thead> <tr> <th>Cross-section (mm²)</th> <th>IP ≤ 30</th> <th>IP > 30</th> </tr> </thead> <tbody> <tr> <td>155</td> <td>500</td> <td>400</td> </tr> <tr> <td>265</td> <td>800</td> <td>630</td> </tr> <tr> <td>440</td> <td>1250</td> <td>1000</td> </tr> </tbody> </table> | Cross-section (mm ²) | IP ≤ 30 | IP > 30 | 155 | 500 | 400 | 265 | 800 | 630 | 440 | 1250 | 1000 |
| Cross-section (mm ²) | IP ≤ 30 | IP > 30 | | | | | | | | | | | | |
| 155 | 500 | 400 | | | | | | | | | | | | |
| 265 | 800 | 630 | | | | | | | | | | | | |
| 440 | 1250 | 1000 | | | | | | | | | | | | |
| 1 | 374 60 | | | | | | | | | | | | | |
| 1 | 374 61 | | | | | | | | | | | | | |
| 1 | 374 62 | | | | | | | | | | | | | |
| 1 | 098 82 | 640 1450 1250 | | | | | | | | | | | | |
| 1 | 098 83 | 710 1900 1600 | | | | | | | | | | | | |
| 1 | 098 20 | Isolating protection kit for C-section bars Set of 4 rear profiles and 2 front profiles | | | | | | | | | | | | |
| | | Connection - tap-off⁽¹⁾ Hammer head bolt for connection or tap-off on C-section busbar | | | | | | | | | | | | |
| 10 | 374 64 | M8 hammer head bolt | | | | | | | | | | | | |
| 10 | 374 65 | M12 hammer head bolt | | | | | | | | | | | | |
| | | Tap-off terminal on C-section bar For tap-off connection of two 35 mm ² cross-section cables on C-section bar | | | | | | | | | | | | |
| 1 | 373 29 | 125 A terminals | | | | | | | | | | | | |

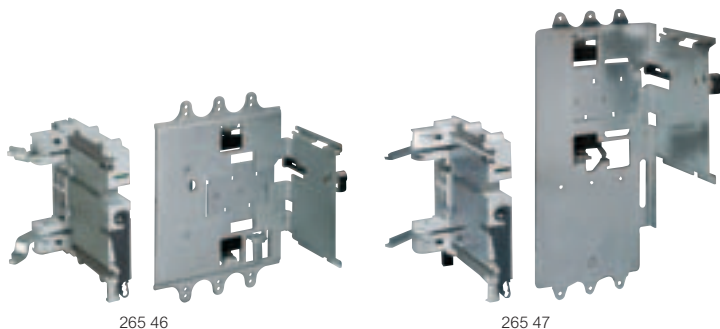


| Pack | Cat.Nos | Equipment for fixed version |
|------|------------------------------------|---|
| | | For supplying, connecting and fixing DPX power devices For connection on C-section bars For mounting on the vertical fixing devices of the XL-Part column chassis |
| | | DPX support bases Supplied with 1 incoming terminal shield for DPX |
| 1 | 3P 098 71 098 73 | For DPX 630 only |
| 1 | 4P 098 72 098 74 | For DPX 630 with e.l.c.b. mounted underneath |
| 1 | 098 67 098 69 | For DPX 250 only |
| 1 | 098 68 098 70 | For DPX 250 with e.l.c.b. mounted underneath |
| | | Terminal shields Outgoing protection For DPX 630 |
| 1 | 098 12 098 14 | |
| 1 | 098 11 098 13 | For DPX 250 |
| | | Accessory for DPX auxiliaries Connector with 6 contacts |
| 1 | 098 19 | |
| | | Equipment for plug-in version |
| | | A plug-in version DPX is a DPX equipped with tulip contacts and a backplate |
| | | Tulip contacts Supplied with 1 set of 2 incoming/outgoing terminal shields |
| | | No of tul. cont. + Backplate for DPX 630 |
| 1 | 3P 265 50 265 51 6 8 | |
| 1 | 4P 265 29 265 30 6 8 | + Backplate for DPX 250 |
| | | DPX support bases Takes DPX equipped with tulip contacts |
| 1 | 098 29 098 31 | For DPX 630 only |
| 1 | 098 30 098 32 | For DPX 630 with e.l.c.b. mounted underneath |
| 1 | 098 25 098 27 | For DPX 250 only |
| 1 | 098 26 098 28 | For DPX 250 with e.l.c.b. mounted underneath |
| | | Extractor handles Supplied in sets of 2 |
| 1 | 263 68 | For DPX 630 |
| 1 | 263 43 | For DPX 250 |
| | | Terminal shields For plug-in or draw-out version DPX 630 |
| 1 | 098 17 098 24 | |
| 1 | 098 16 098 23 | For plug-in or draw-out version DPX 250 |



(1) The use of a wide washer or a backplate is recommended

XL-Part 1 600 distribution system (continued)



265 46

265 47

| Pack | Cat.Nos | | Equipment for draw-out version |
|------|---------|--------|---|
| | 3P | 4P | A draw-out version DPX is a plug-in DPX equipped with a "Debro-lift" mechanism which enables the DPX to be drawn out while keeping it on its base |
| 1 | 265 66 | 265 67 | "Debro-lift" mechanisms |
| 1 | | 265 68 | For DPX 630 support base only Cat.No 098 31 |
| | | | For DPX 630 with e.l.c.b. support base Cat.No 098 32 |
| 1 | 265 45 | 265 46 | For DPX 250 support base only Cat.No 098 27 |
| 1 | | 265 47 | For DPX 250 with e.l.c.b. support base Cat.No 098 28 |
| | | | Operating accessory |
| 1 | 265 75 | | Handle for "Debro-lift" mechanism |

| Pack | Cat.Nos | | Metal faceplates |
|------|---------|--------|--|
| | | | For fixed or plug-in DPX |
| | | | Screw-mounting faceplates and locks for DPX with or without e.l.c.b. |
| 1 | | 209 24 | Height 200 mm for DPX 250 |
| 1 | | 209 28 | Height 200 mm for DPX 250 with motorised control |
| 1 | | 209 25 | Height 300 mm for DPX 630 |
| 1 | | 209 29 | Height 300 mm for DPX 630 with motorised control |
| | | | For draw-out DPX |
| | | | Faceplates with hinges and locks with or without e.l.c.b. |
| 1 | | 212 26 | Height 300 mm for DPX 250 or DPX 630 |
| 1 | | 212 06 | Height 300 mm for DPX 250 with motorised control |
| 1 | | 212 07 | Height 300 mm for DPX 630 with motorised control |

| Pack | Cat.Nos | | Cable guide |
|------|---------|--|---|
| 1 | 332 34 | | For anchoring cables in the cable sleeves in XL ³ 4 000 enclosures Fits on crosspieces Cat.Nos 205 21, 205 22 and/or 205 23 Dimensions: 1400 x 200 x 50 mm |

XL PRO²

The software for distribution panel designers

Designed as a veritable digital workshop, XL PRO² software significantly boosts distribution panel administration

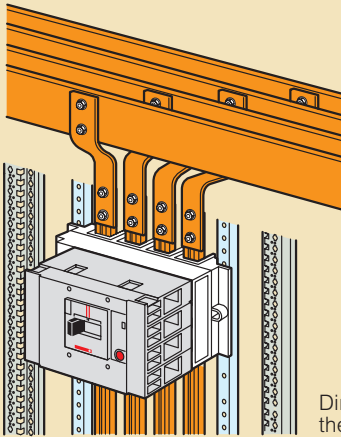


- > Selects the required products
- > Calculates the corresponding types of enclosure
- > Displays the layout of the products in the enclosures
- > Automatically generates the wiring diagram for your installation
- > Works out the cost

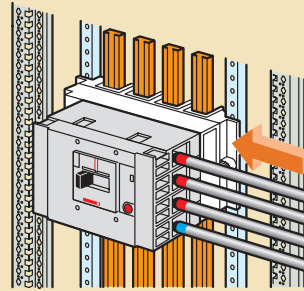
XL-Part distribution system

■ XL-Part 1 600 - XL-Part 800

Column chassis power supply



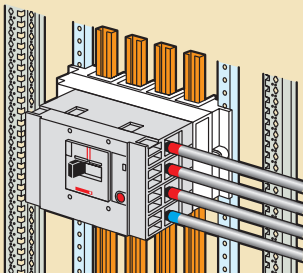
Direct power supply from the horizontal main busbar



Indirect power supply via a DPX 630 at head of column

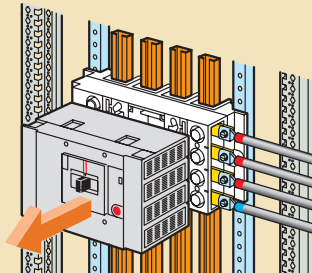
Connection of the conductors

Fixed version



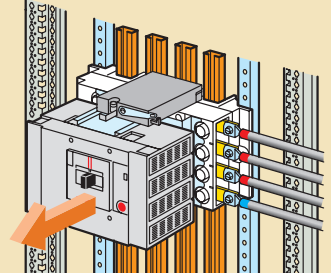
On DPX

Plug in version



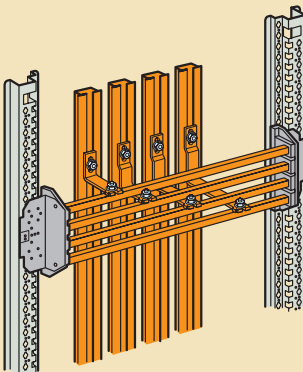
On base

Draw-out version

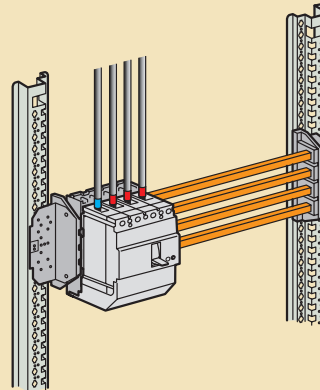


On base

■ Row distribution block 400 A

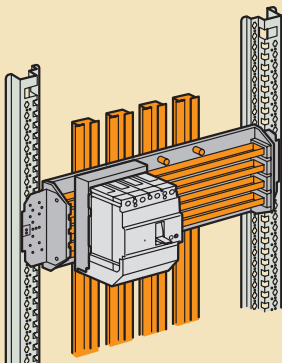


Direct power supply via connecting brackets Cat.No 373 19 on column chassis

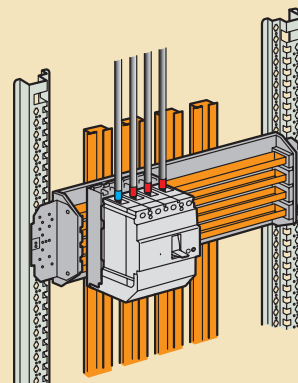


Indirect power supply via a head of row device

■ Row distribution block 250 A



Direct power supply via hammer head bolt mounted on the distribution block base



Indirect power supply via a head of row device

■ XL-Part 125-100 (p. 248)

XL-Part 1 600 distribution system

■ Column chassis Cat.No 373 28

Insulation voltage of column chassis bar supports according to EN 60947-1/IEC 60664-1: 1000 V
 Impulse voltage (U_{imp}): 12 kV

Rated currents of C-section bars

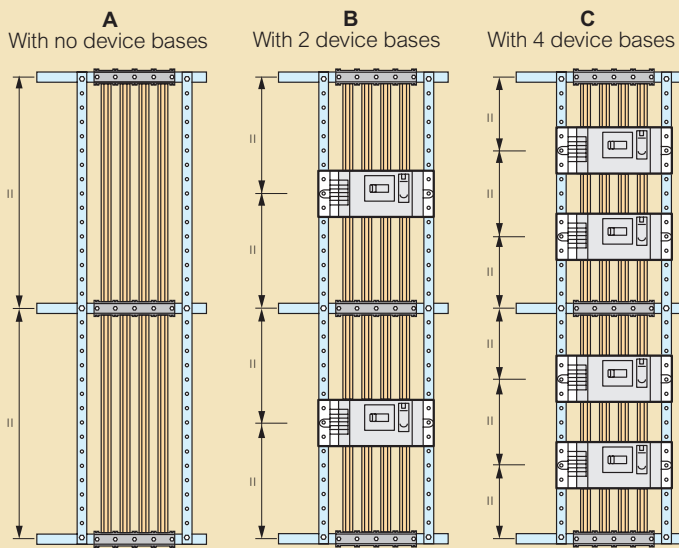
| IP ≤ 30 | IP > 30 | Cat.No | Cross-section (mm ²) | I ² t (A ² s) | Ic _{w_{1s}} (A) |
|---------|---------|--------|----------------------------------|-------------------------------------|----------------------------------|
| 500 | 400 | 374 60 | 155 | 0,5 10 ⁹ | 22000 |
| 800 | 630 | 374 61 | 265 | 1,4 10 ⁹ | 38000 |
| 1250 | 1000 | 374 62 | 440 | 3,9 10 ⁹ | 63000 |
| 1450 | 1250 | 098 82 | 640 | 8,3 10 ⁹ | 91000 |
| 1900 | 1600 | 098 83 | 710 | 1,0 10 ¹⁰ | 100000 |

Permissible short-circuit current value

Peak I_{sc} (I_{pk} in kA)

| Column chassis configuration | C-section bars | | | | |
|------------------------------|-------------------------------|-------------------------------|-------------------------------|-------------------------------|-------------------------------|
| | 347 60 155 mm ² | 347 61 265 mm ² | 347 62 440 mm ² | 098 82 640 mm ² | 098 83 710 mm ² |
| A | 40 | 50 | 60 | 70 | 75 |
| B | 70 | 90 | 120 | 140 | 150 |
| C | 90 | 120 | 150 | 170 | 180 |

The permissible peak I_{sc} values are given respectively for column chassis Cat.No 373 28 with 3 equidistant supports

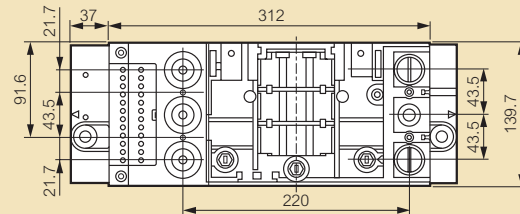


■ Three-pole support bases

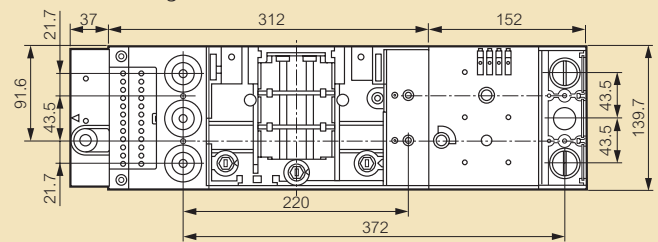
Insulation voltage of DPX support bases according to EN 60947-1/IEC 60664-1: 690 V
 Impulse voltage (U_{imp}): 8 kV

For DPX 630

Without earth leakage module Cat.No 098 71

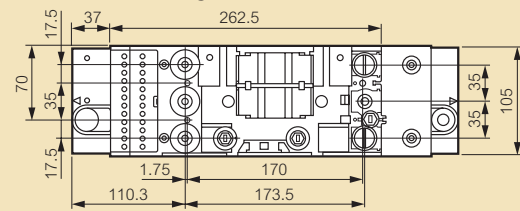


With earth leakage module Cat.No 098 72

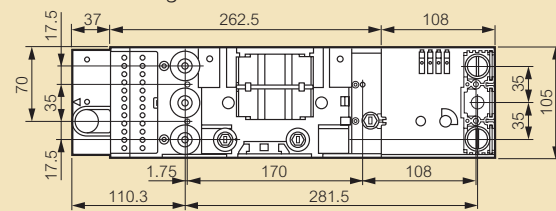


For DPX 250

Without earth leakage module Cat.No 098 67

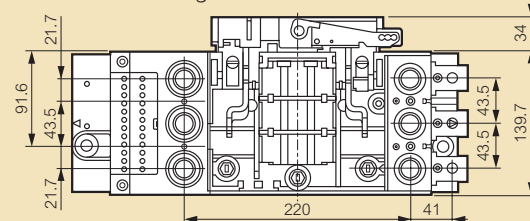


With earth leakage module Cat.No 098 68

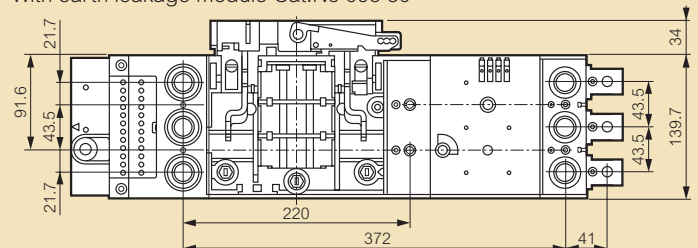


For DPX 630 plug-in version

Without earth leakage module Cat.No 098 29



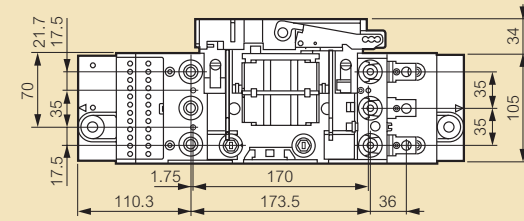
With earth leakage module Cat.No 098 30



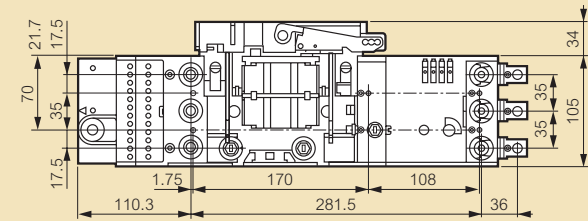
XL-Part 1 600 distribution system (continued)

Three-pole support bases

For DPX 250 plug-in version
Without earth leakage module Cat.No 098 25

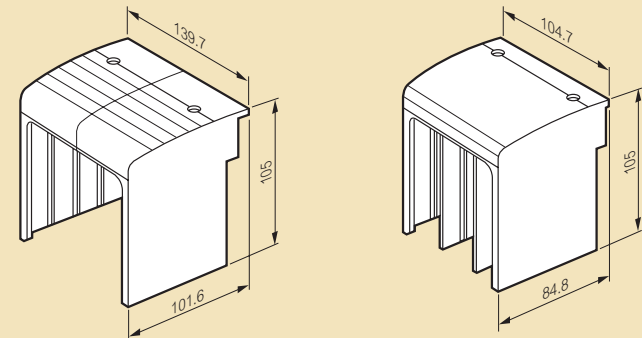


With earth leakage module Cat.No 098 26

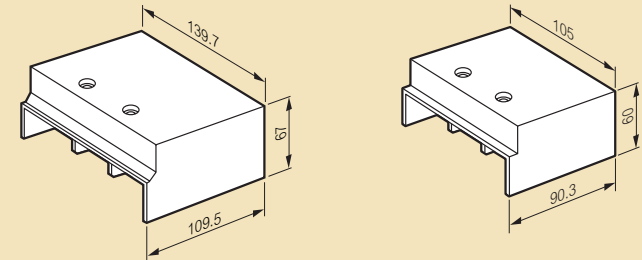


Connection protection

Terminal shield for fixed version base
For DPX 630 Cat.No 098 12 For DPX 250 Cat.No 098 16



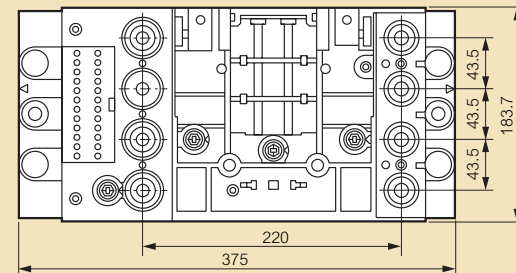
Protective cover for plug-in and draw-out version base
For DPX 630 Cat.No 098 17 For DPX 250 Cat.No 098 16



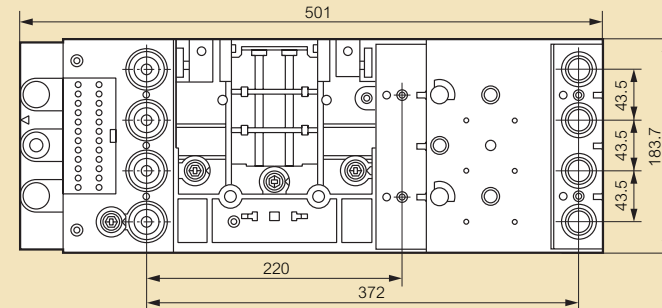
Four-pole support bases

Insulation voltage of DPX support bases according to EN 60947-1/IEC 60664-1: 690 V
Impulse voltage (Uimp): 8 kV

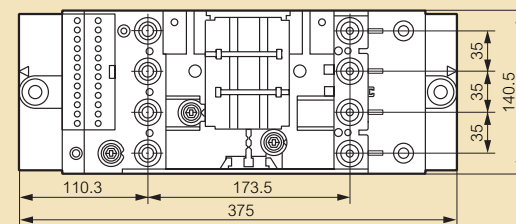
For DPX 630
Without earth leakage module Cat.No 098 73



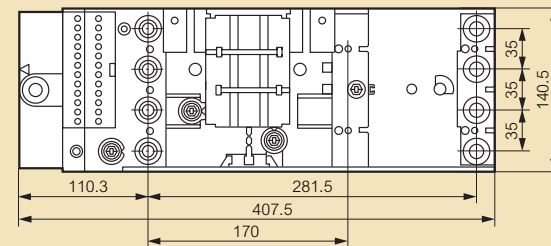
With earth leakage module Cat.No 098 74



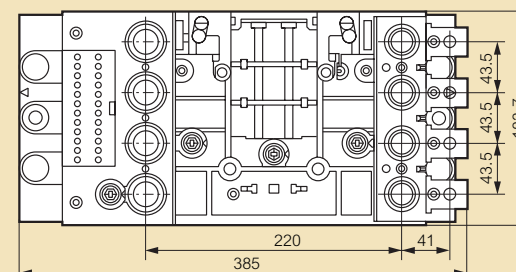
For DPX 250
Without earth leakage module Cat.No 098 69



With earth leakage module Cat.No 098 70

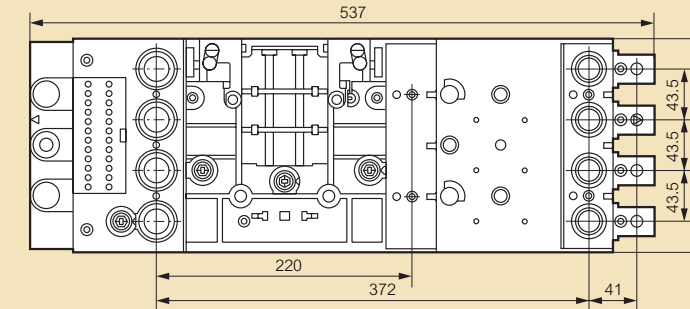


For DPX 630 plug-in version
Without earth leakage module Cat.No 098 31

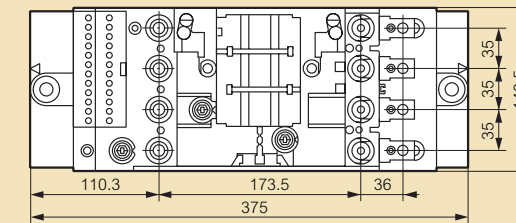


Four-pole support bases

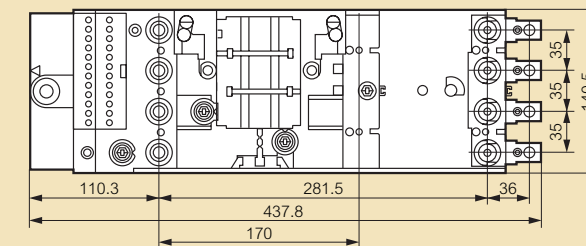
For DPX 630 plug-in version
With earth leakage module Cat.No 098 32



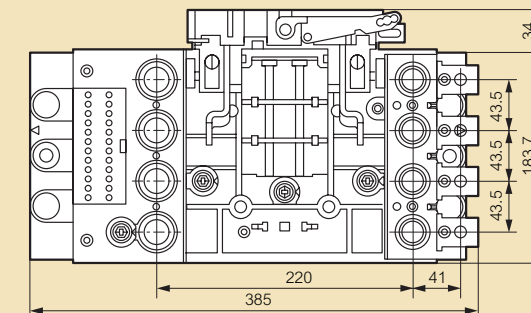
For DPX 250 plug-in version
Without earth leakage module Cat.No 098 27



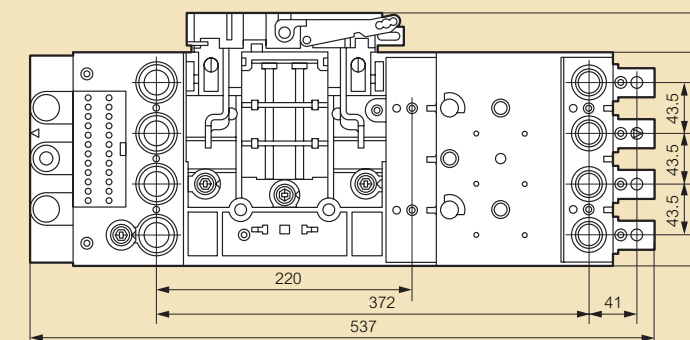
With earth leakage module Cat.No 098 28



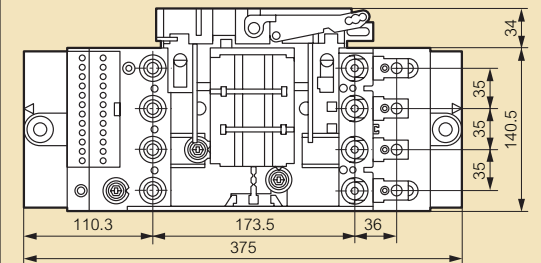
For DPX 630 draw-out version
(plug-in version + draw-out equipment)
Without earth leakage module Cat.No 098 31 + 265 67



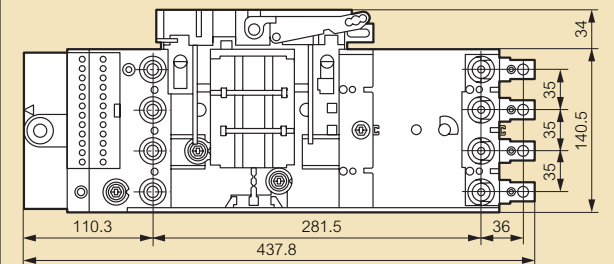
With earth leakage module Cat.No 098 32 + 265 68



For DPX 250 draw-out version
(plug-in version + draw-out equipment)
Without earth leakage module Cat.No 098 27 + 265 46

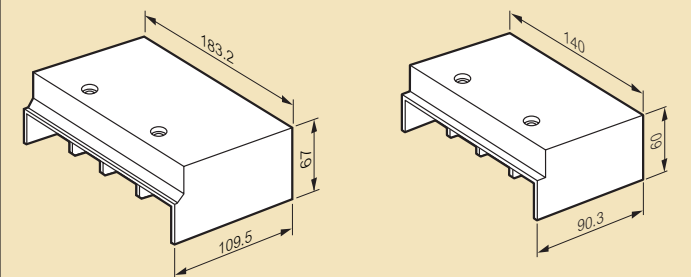


With earth leakage module Cat.No 098 28 + 265 47

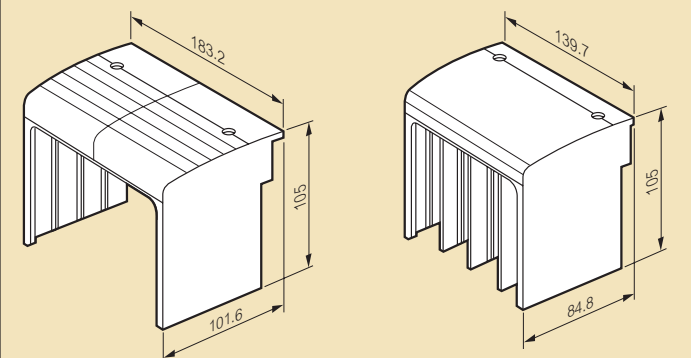


Connection protection

Terminal shield for fixed version base
For DPX 630 Cat.No 098 24 For DPX 250 Cat.No 098 23



Protective cover for plug-in and draw-out version base
For DPX 630 Cat.No 098 14 For DPX 250 Cat.No 098 13





**World Headquarters and
International Department
87045 LIMOGES CEDEX FRANCE**

☎ : 33 5 55 06 87 87

Fax : 33 5 55 06 74 55